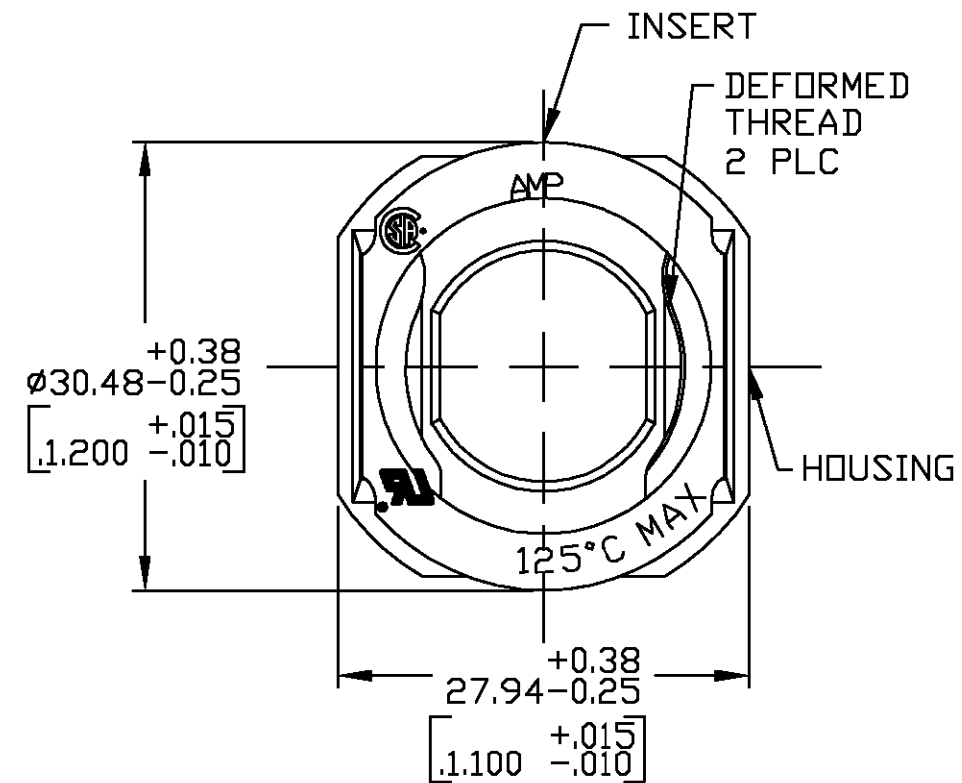
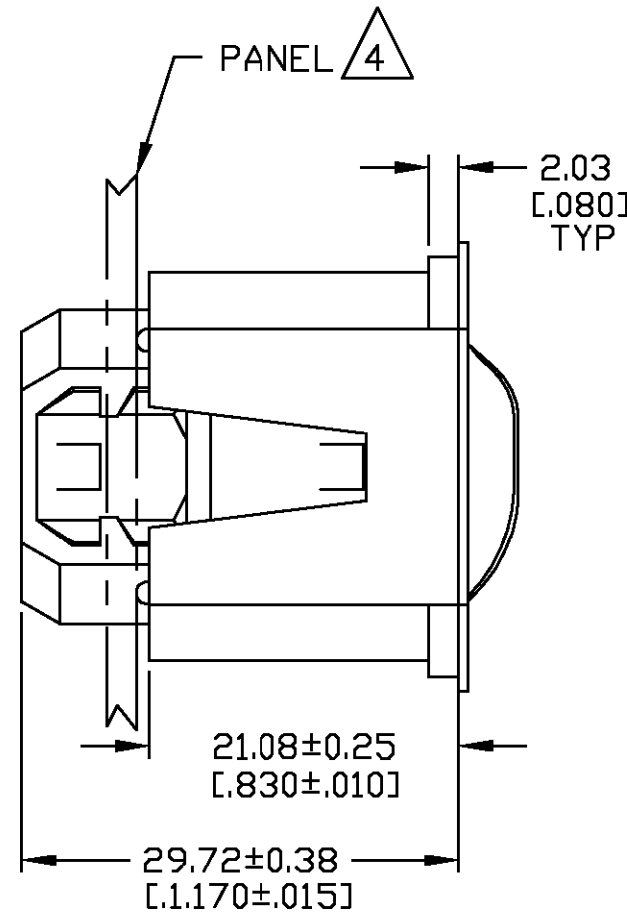
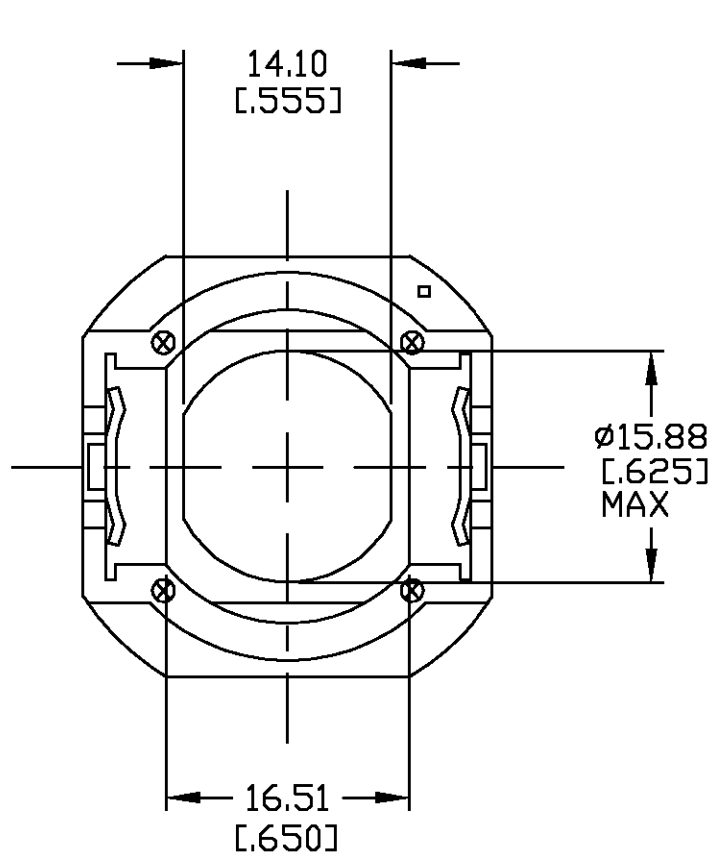


THIS DRAWING IS UNPUBLISHED. RELEASED FOR PUBLICATION .19
 © COPYRIGHT 19 BY AMP INCORPORATED. ALL RIGHTS RESERVED.

LOC	DIST	REVISIONS			
P	LTR	DESCRIPTION	DATE	DWN	APVD
AA	27	H	REDWN & REV PER EC 0B40-0133-00	23JUN00	LMH/LHS

- 1 HOUSING: NYLON, BLACK.
INSERT: CARBON STEEL, 0.64 [.025] THICK.
- 2 INSERT: ZINC PER QQ-Z325, CLASS 3, TYPE II.
+0.79
- 3. FITS STANDARD 12.70 [.500] KNOCKOUT $\phi 22.22 -0.38$
[.875 -0.15]
- 4 PANEL RETENTION MECHANISM ACCOMMODATES PANEL THICKNESSES FROM 0.81 [.032] TO 2.31 [.091].



207373-1
PART NUMBER

THIS DRAWING IS A CONTROLLED DOCUMENT.		DWN	L.HALL	27APR00	AMP Incorporated Harrisburg, PA 17105-3608											
DIMENSIONS: MM [Inches]		CHK	L.H.SMITH	23JUN00												
TOLERANCES UNLESS OTHERWISE SPECIFIED:		APVD	F. LINCOLN	23JUN00												
<table border="0"> <tr><td>0 PLC</td><td>±</td></tr> <tr><td>1 PLC</td><td>±</td></tr> <tr><td>2 PLC</td><td>± 0.13 [.005]</td></tr> <tr><td>3 PLC</td><td>±</td></tr> <tr><td>4 PLC</td><td>±</td></tr> <tr><td>ANGLES</td><td>±</td></tr> </table>		0 PLC	±	1 PLC		±	2 PLC	± 0.13 [.005]	3 PLC	±	4 PLC	±	ANGLES	±	NAME	
0 PLC	±															
1 PLC	±															
2 PLC	± 0.13 [.005]															
3 PLC	±															
4 PLC	±															
ANGLES	±															
MATERIAL	1	FINISH	2	WEIGHT	SIZE	A3	CAGE CODE	00779	DRAWING NO	©=207373	RESTRICTED TO					
CUSTOMER DRAWING				SCALE	2:1	SHEET	1	OF	1	REV	H					